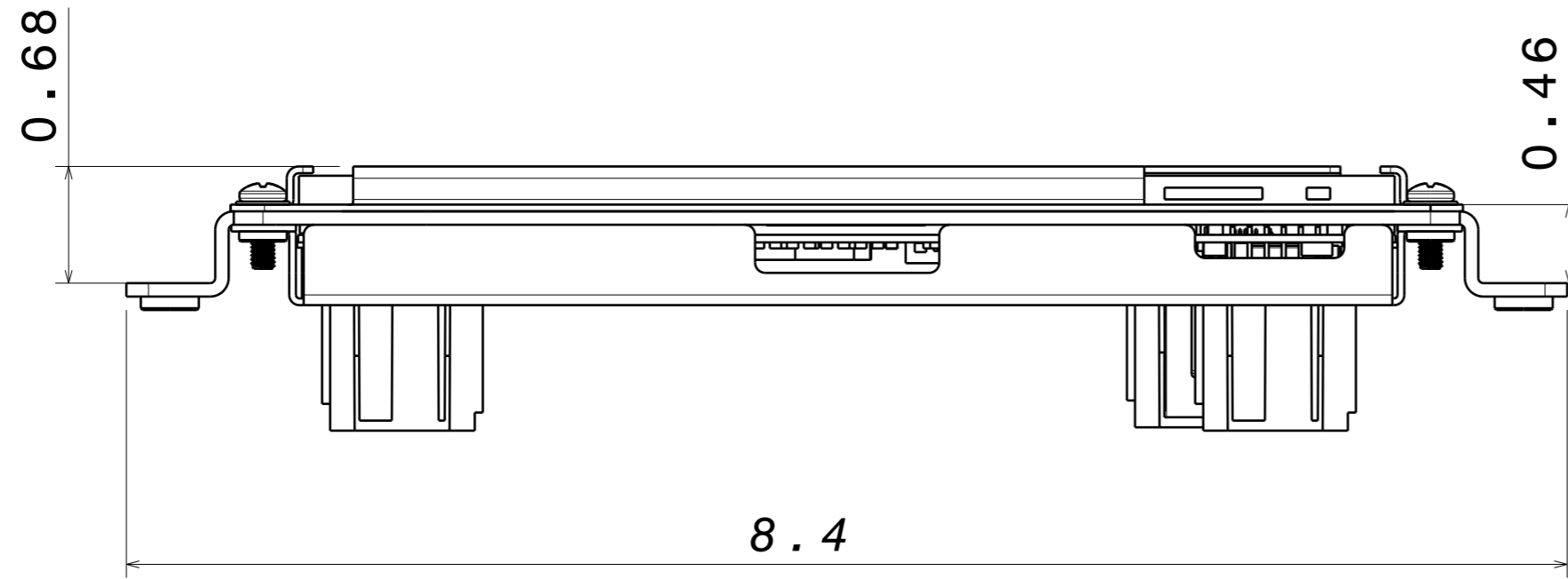
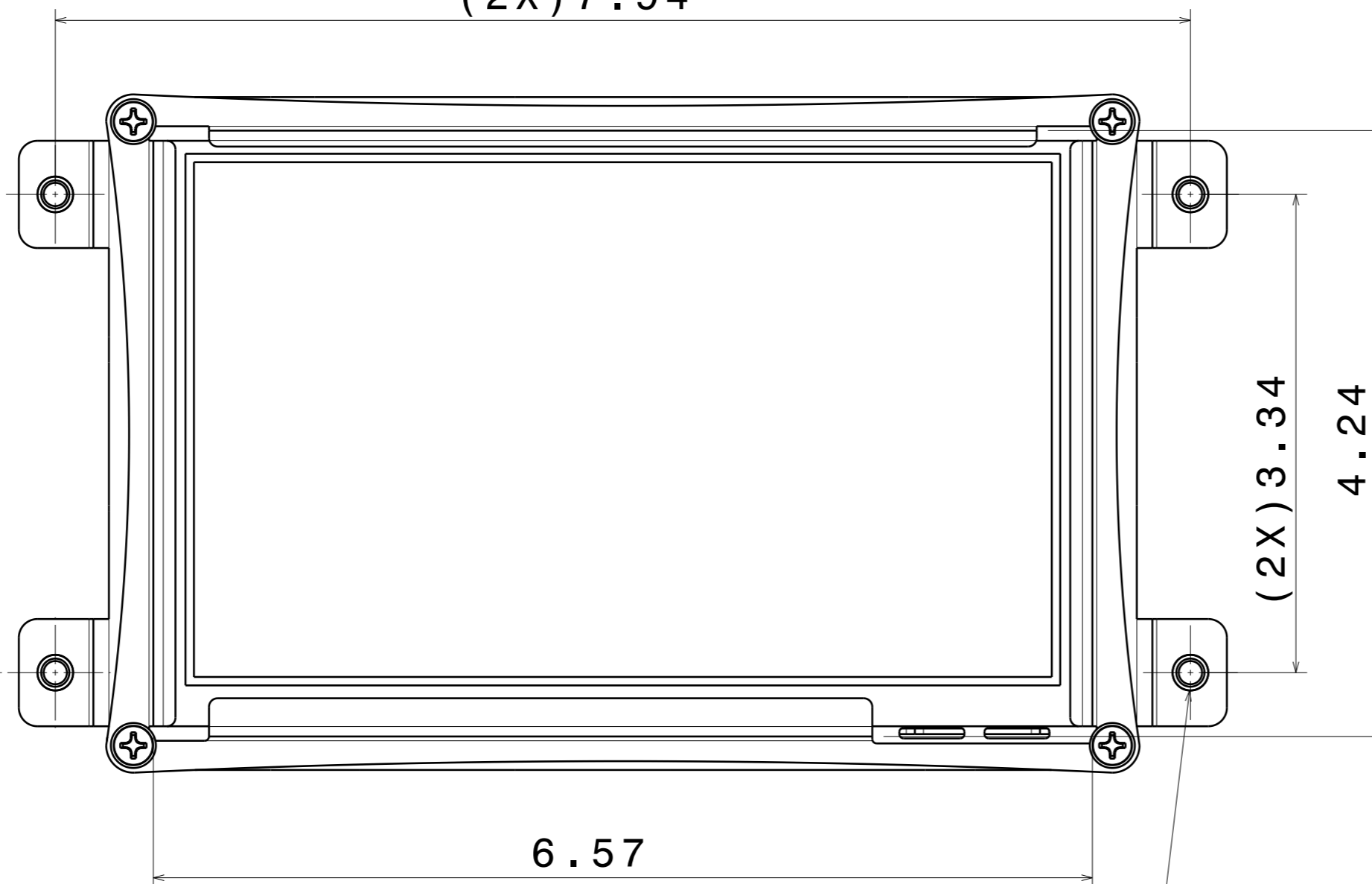


NOTES:

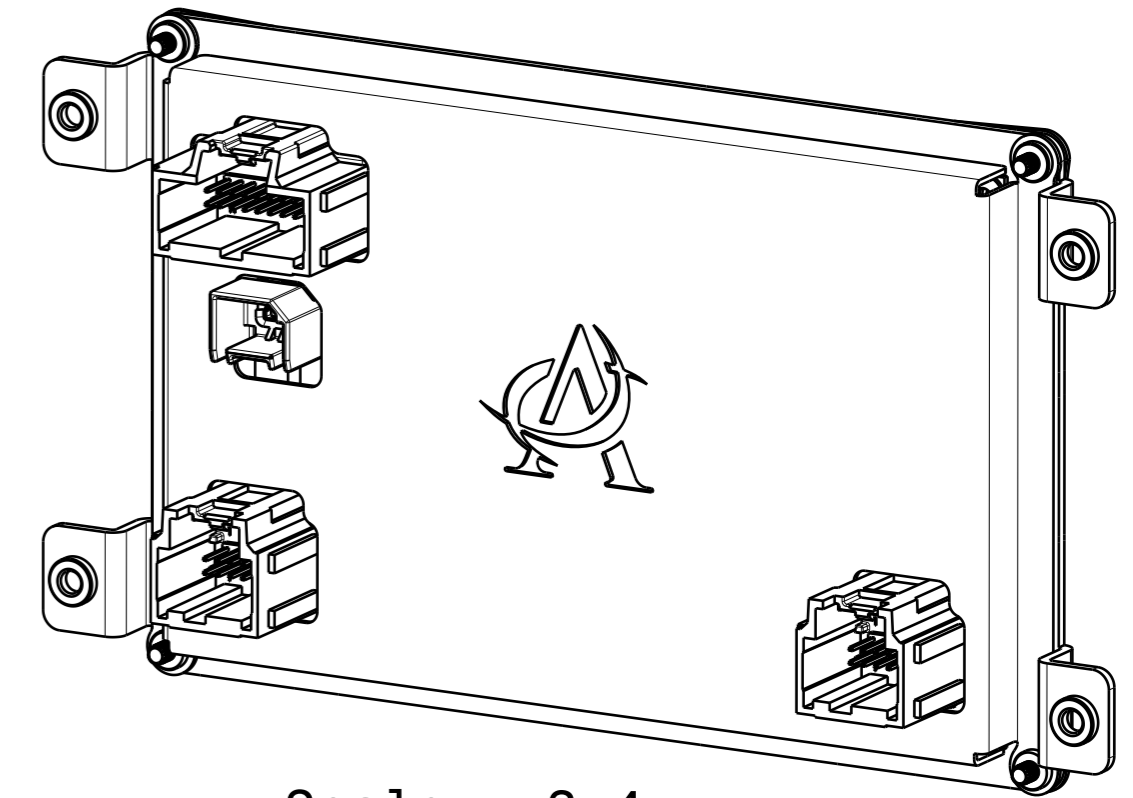
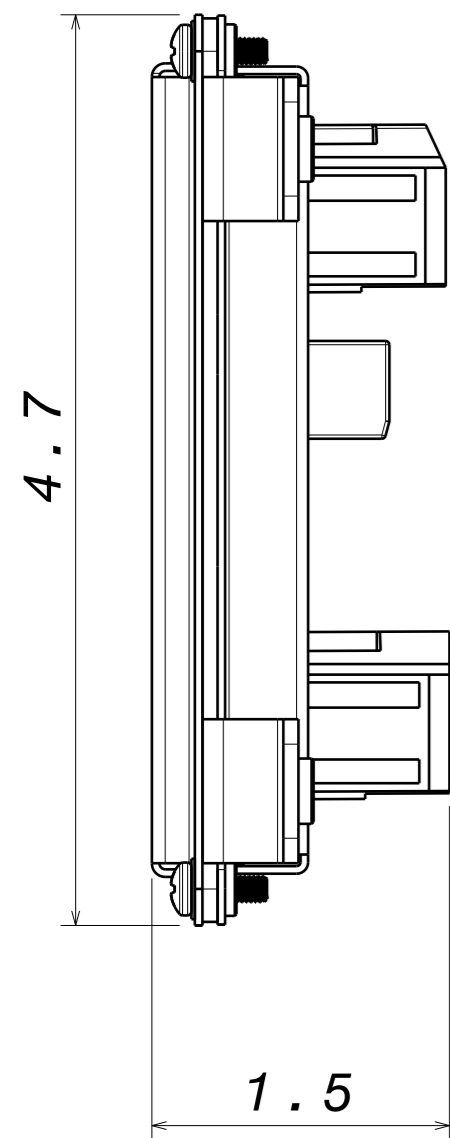
1. ALL DIMENSIONS ARE IN INCHES, EXCEPT FOR METRIC INSERTS
2. MATERIAL: ALUMINUM 6061-T6
3. FINISH: POWDER COAT
4. TOLERANCES:  $\pm 0.02$  [IN]; HOLES  $\pm 0.005$ [IN]



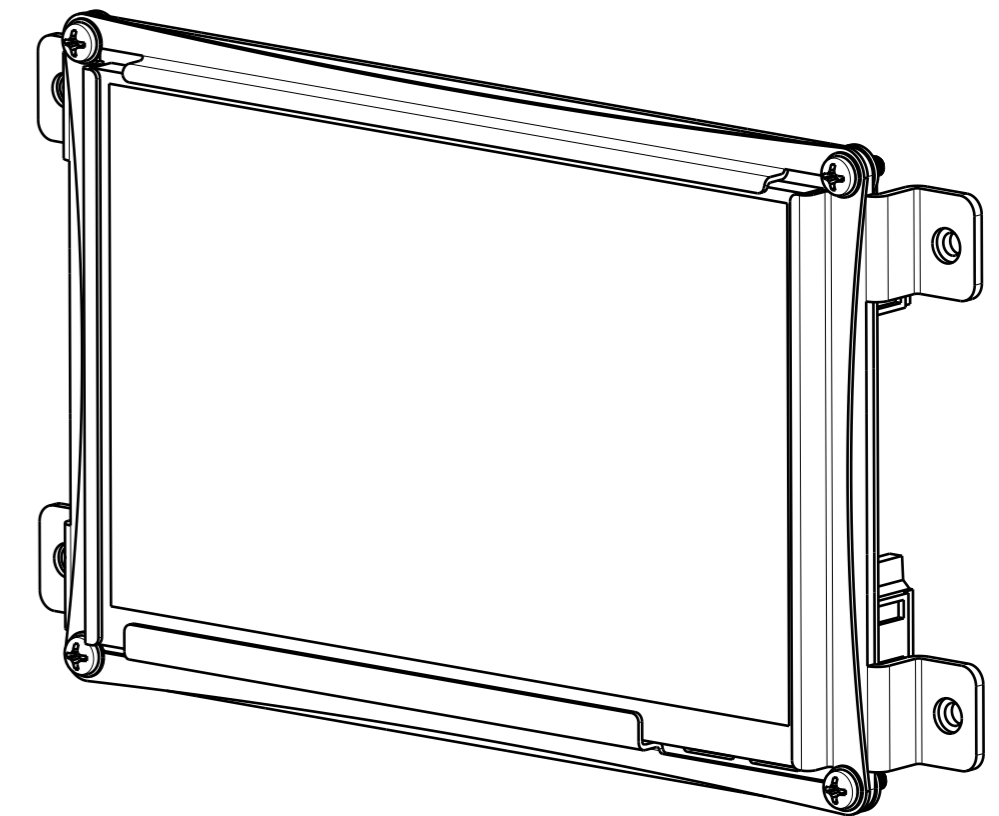
(2X) 7.94



(4X) M5 X 0.8 Threaded Inserts



Scale: 3:4



Scale: 3:4

This drawing is our property. It can't be reproduced or communicated without our written agreement.		<b>ANDROMEDA</b> INTERFACES, INC.			
DRAWING TITLE		ESSENTIAL ENCLOSURE, EVIC			
DRAWN BY	DATE	SIZE	DRAWING NUMBER		REV
coelho	03/19/2015	A2	N/A		R1
CHECKED BY	DATE	SCALE	WEIGHT(LB)	SHEET	
DESIGNED BY	DATE	1:1	1.04	1/1	
coelho	1/11/2014				