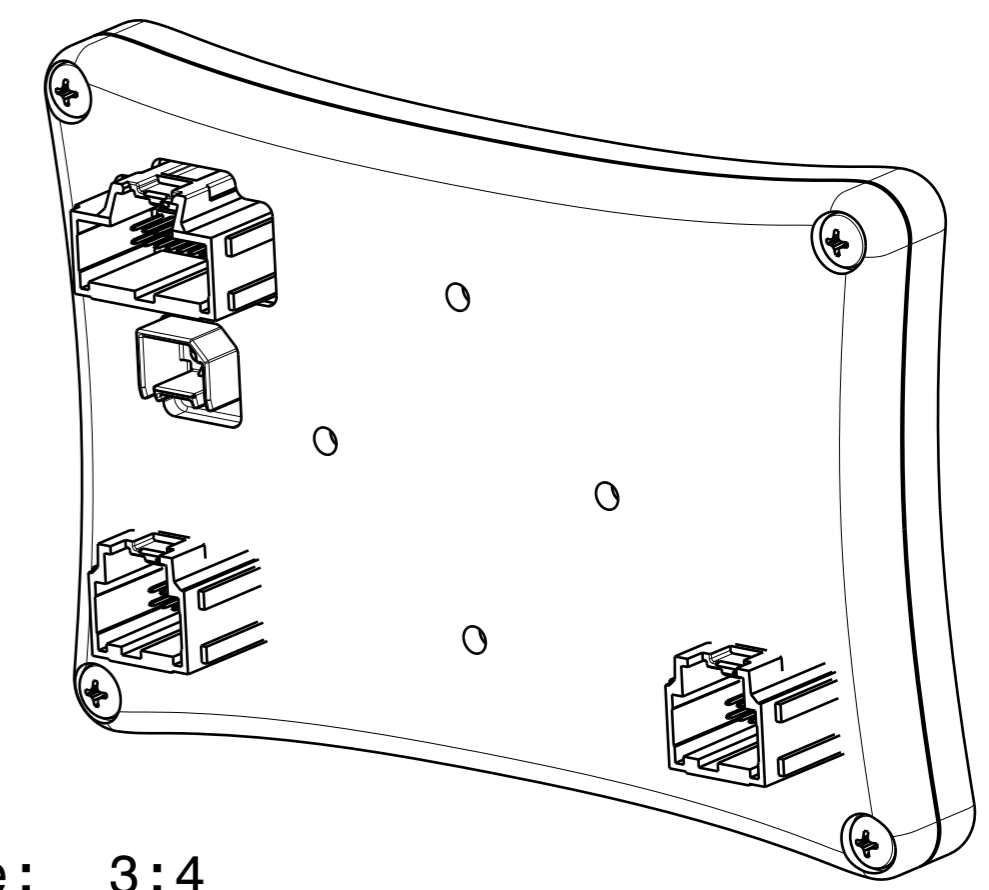
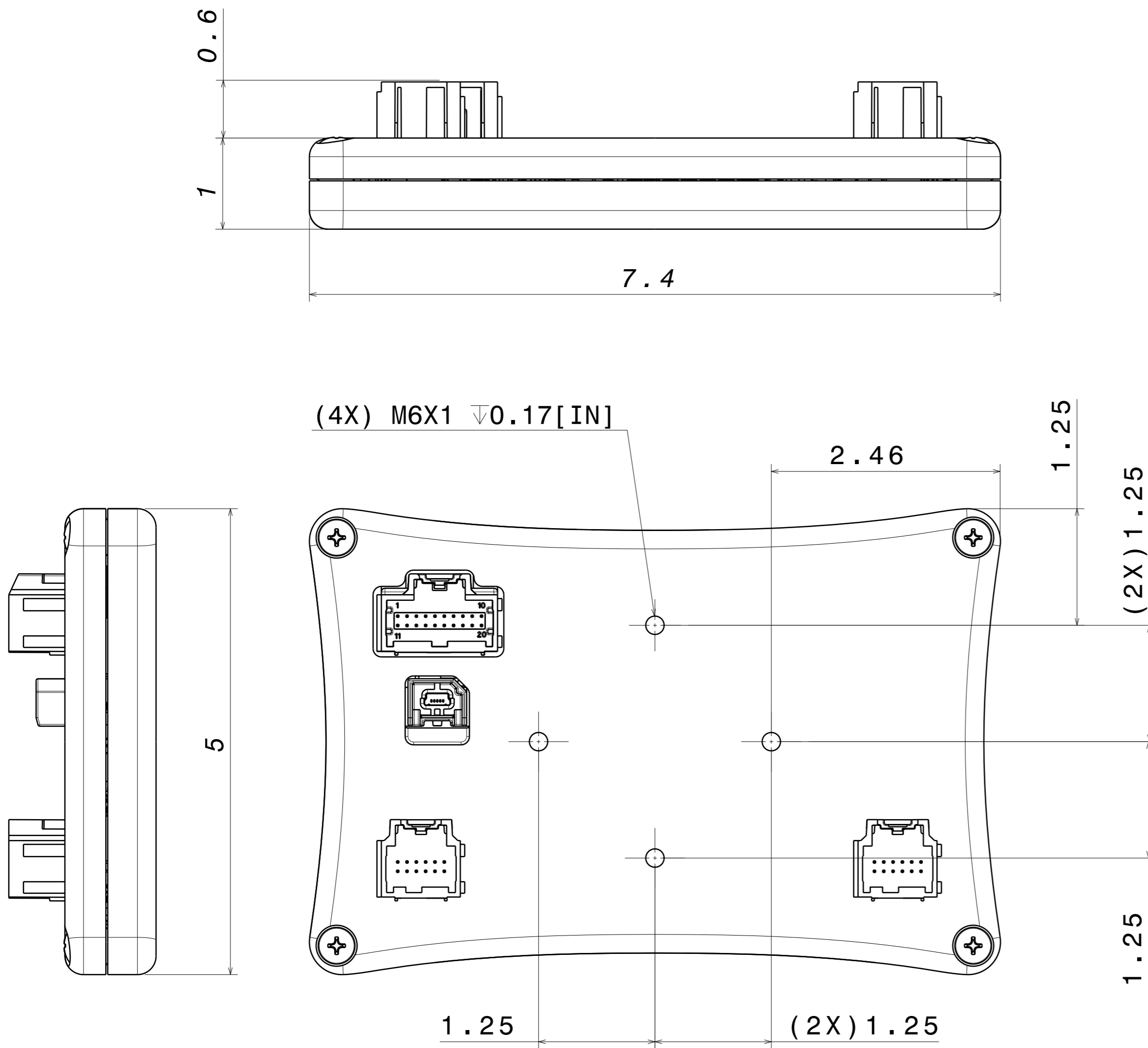
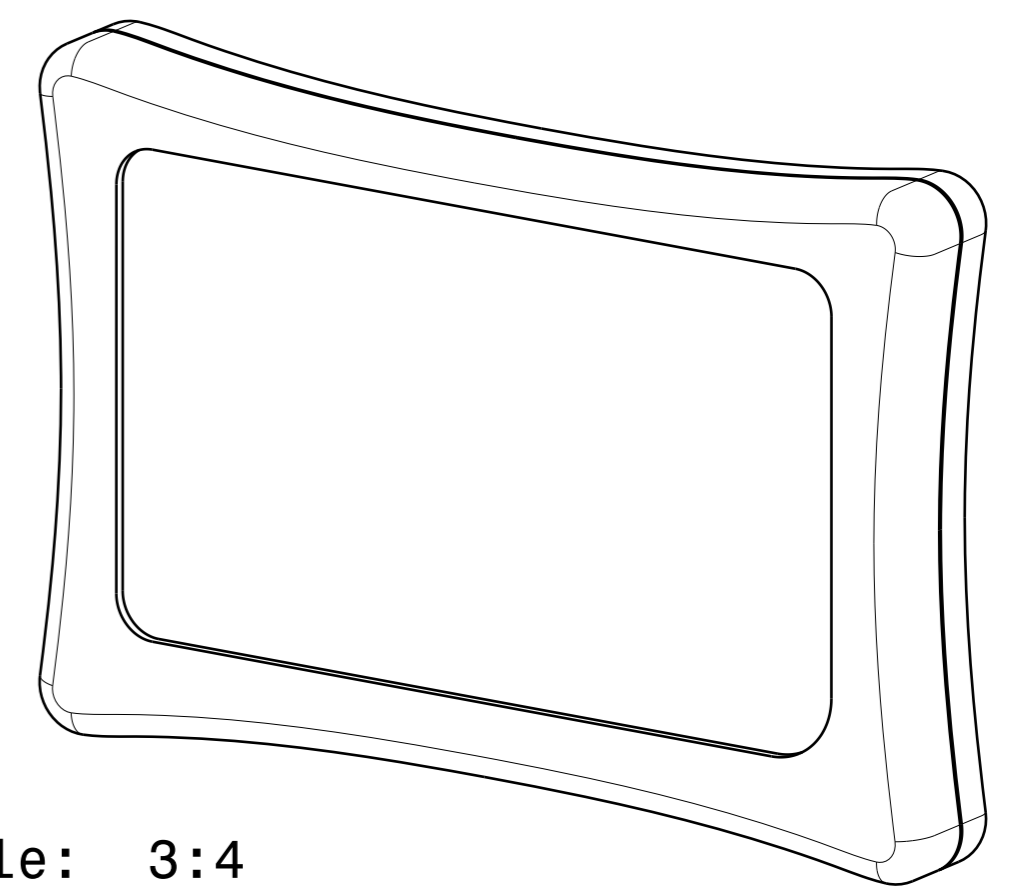


NOTES:

1. ALL DIMENSIONS ARE IN INCHES, EXCEPT FOR METRIC TAPPED HOLES
2. MATERIAL: ALUMINUM 6061-T6
3. FINISH: ANODIZED
4. TOLERANCES: ± 0.02 [IN]; HOLES ± 0.005 [IN]



Scale: 3:4



Scale: 3:4

This drawing is our property. It can't be reproduced or communicated without our written agreement.		ANDROMEDA INTERFACES, INC.	
DRAWING TITLE		ALL PURPOSE ENCLOSURE, EVIC	
DRAWN BY	DATE	SIZE	DRAWING NUMBER
coelho	03/19/2015	A2	N/A
CHECKED BY	DATE	SCALE	WEIGHT(LB)
		1:1	3.34
DESIGNED BY	DATE	SHEET	1/1
coelho	1/11/2014		